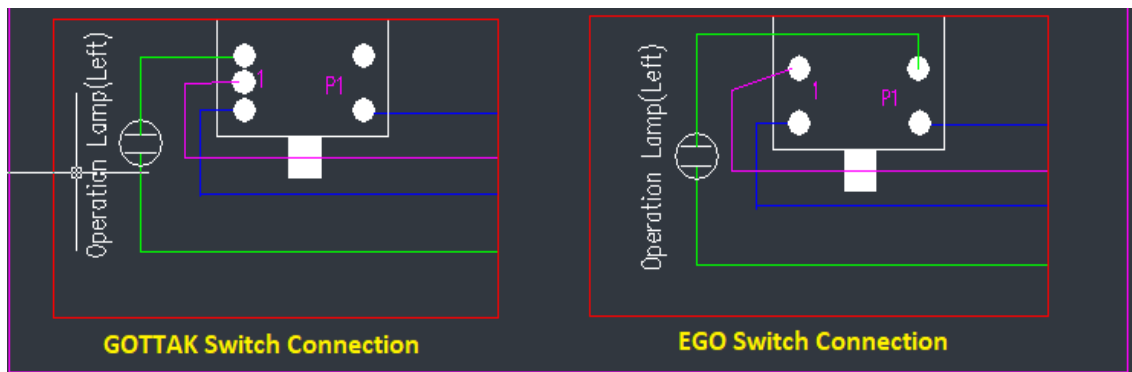


# How to connect **EGO** Switch which is substituted for **GOTTAK** (GTK) Switch?

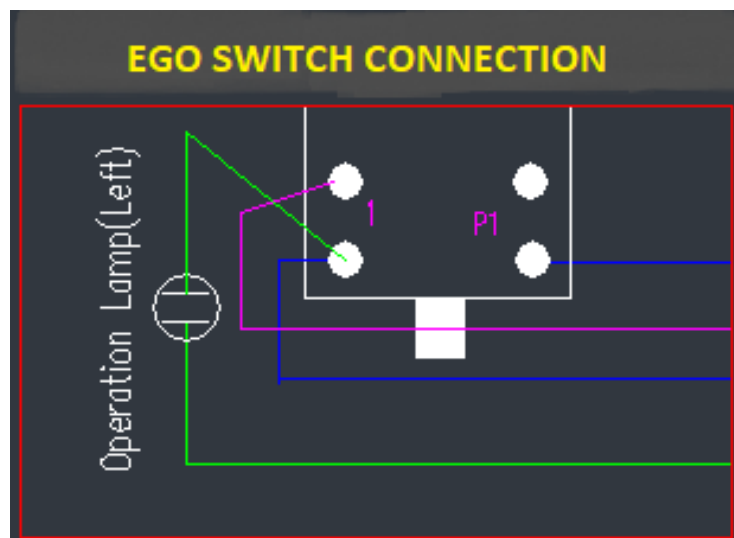
**GOTTAK** Switches' P1-1 contacts **have 3 terminals**, on the other hand **EGO** Switches' P1-1 contacts **have 2 terminals** as you can see below. Except this point, the rest of contact points **are the same**. This is the reason that this bullet-in is prepared to explain just P1-1 connection.



2) **GOTTAK** Switch's **Signal Lamp** connection's one point is attached to switch and one point is attached to thermostat. On the other hand while connecting **EGO** Switch, **Signal Lamp's** connection must attached to **idle** terminal. You can see the connections in detail above diagram.

3) If **EGO** Switch was sent with Signal Lamp, **the new Signal Lamp** with blue-white colour wire should be used and the Signal Lamp's terminal must attached to **idle terminal**.

4) If the product has **EGO** Switch and the substitute spare part is **EGO** Switch too, **P1-1 connection** must be done according to below diagram.



**EGO SWITCHES' SPARE PART NUMBER WHICH ARE GIVEN INSTEAD OF GOTTAK SWITCHES**

<b>GOTTAK SWITCHES</b>		<b>EGO SWITCHES AND SIGNAL LAMP</b>	
<b>CODE</b>	<b>DEFINITION</b>	<b>CODE</b>	<b>DEFINITION</b>
<b>32012450</b>	<b>SWITCH 10/20 ANK/TB X6 DO GTK</b>	<b>32035345</b>	<b>SWITCH SPARE PART 32012450</b>
<b>32016037</b>	<b>SWITCH 12/22 ANK/TB GTK</b>	<b>32035346</b>	<b>SWITCH SPARE PART 32016037</b>
<b>32010641</b>	<b>SWITCH 09/19 ANK/TB GTK</b>	<b>32035347</b>	<b>SWITCH SPARE PART 32010641</b>